

Products

MIPI Monitoring Board SVM-06

■ Overview

SVM-06 is a MIPI image capture board for displaying and recording video signals of the MIPI interface. This board can output signals to HDMI monitors and USB 3.0 (UVC/PC).

■ Characteristics

- Support MIPI CSI-2 up to 1.5Gbps/lane
- Support Embedded Data Capturing
- Simultaneous output to USB 3.0 (UVC) and HDMI
- Compatible with MIPI CSI-2 output deserializer



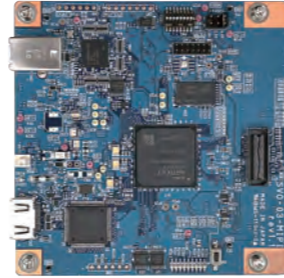
MIPI Signal Generator SVO-03-MIPI

■ Overview

SVO-03-MIPI is a MIPI signal generator board for converting video signals input via USB3.0 or HDMI to MIPI interface. Output timing such as blanking area and frame rate can be set as desired for flexible camera emulation.

■ Characteristics

- Support MIPI CSI-2 up to 950Mbps/lane
- Input from USB 3.0 (Vendor Class Driver) or HDMI
- Compatible with MIPI CSI-2 input serializer



Parallel Monitoring Board SVP-01-U

■ Overview

SVP-01-U is a parallel image capture board for displaying and recording video signals of the parallel interface. This board can output signals to DisplayPort or USB3.0 (UVC/PC).

■ Characteristics

- Support parallel input up to 24bit 150MHz
- Output to USB3.0 (UVC) or DisplayPort
- Compatible with parallel output deserializer



Parallel Image Generator SVP-01-G

■ Overview

SVP-01-G is a parallel image generator board for converting video signals input via USB3.0 or DisplayPort to parallel interface. Output timing such as blanking area and frame rate can be set as desired for flexible camera emulation.

■ Characteristics

- Support parallel output up to 24bit 150MHz
- Input from USB3.0 (Vendor Class Driver) or DisplayPort
- Compatible with parallel input serializer



Connection Boards for GMSL Evaluation Kits NV061-R / NV061-Q

■ Overview

NV061 is a connection board for Analog Devices GMSL EV kits with our SV series boards. If you have the EVKIT, you can easily evaluate ICs.

■ NV061-R

Designed for connecting the Serializer EVKit with our MIPI Generator SVO-03-MIPI.



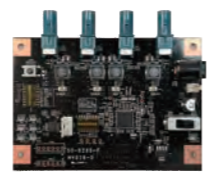
■ NV061-Q

Designed for connecting the Deserializer EVKit with our MIPI Monitor Board SVM-06.



Option Boards ※build-to-order

- Serializer Board *GMSL2, FPD-LinkIII, GVIF2, A-PHY etc.
- Deserializer Board *GMSL2, FPD-LinkIII, GVIF2, A-PHY etc.
- GW5 Series Development Board : GW5 Board
- Connection Board for Jetson nano : NV011-D
- Connection Board for OmniVision MIPI Image Sensors : NV011-V



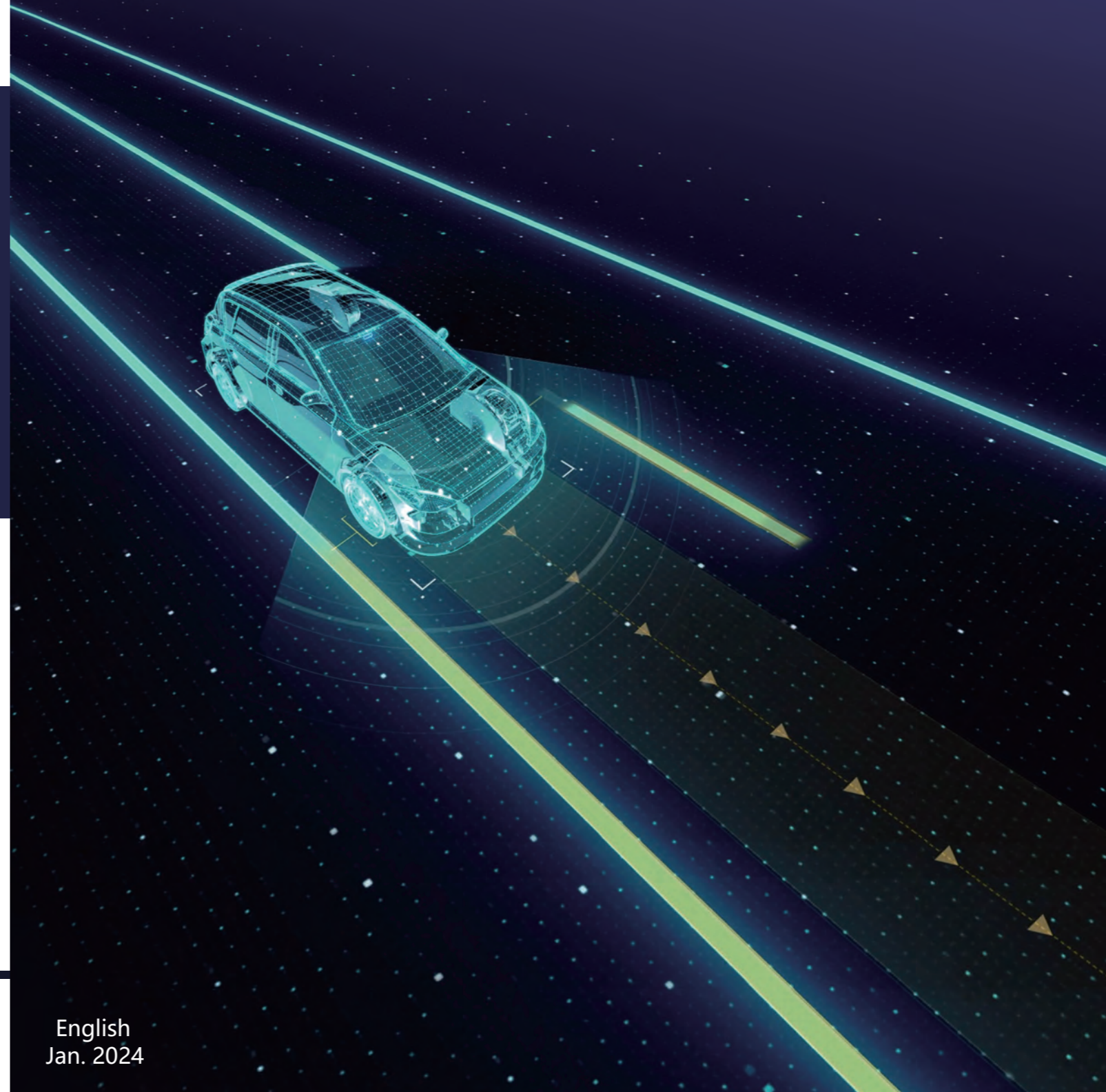
GMSL Deserializer Board



GW5 Board



SV series



3-8-6, KandaKaji-cho, Chiyoda-ku, Tokyo, 101-0045, Japan
Tel : +81-3-5577-5662 Mail : sv-support@net-vision.co.jp

NetVision

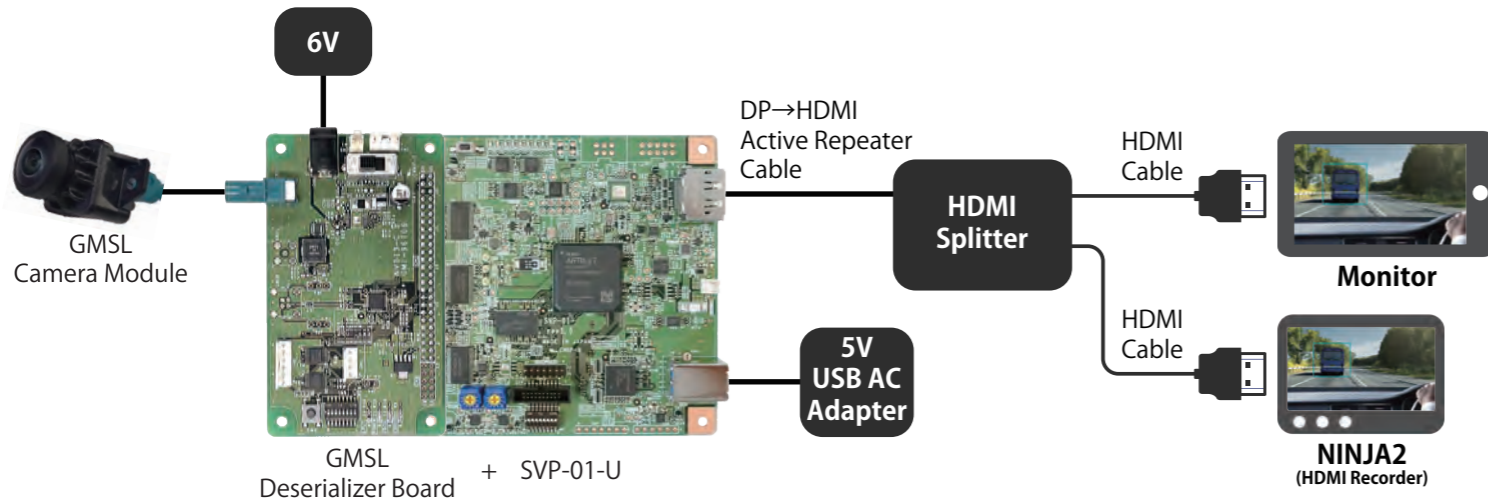


English
Jan. 2024

CASE 1 GMSL Camera Image Output to HDMI Monitor/Recorder

Parallel Monitoring Board SVP-01-U can output automotive camera images such as GMSL, FPD-LinkIII to HDMI or USB3.0 by using with our deserializer boards. As shown below, GMSL camera images are displayed on an HDMI monitor and NINJA2 (HDMI recorder) without a PC.

With I2C auto-setting function for an image sensor and a deserializer, camera images can be displayed just by turning on the power.

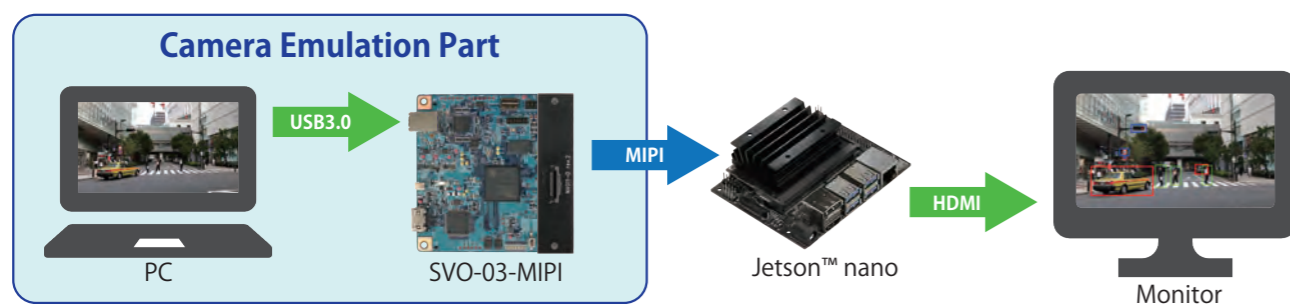


SVP-01-U can capture various camera images by changing the initial settings file and the deserializer board. It can also be used as a logger of automotive camera images while driving. I2C control is supported with an application when connected with a PC, allowing sensor/SerDes register to read/write easily. It makes ideal as a camera inspection jig.

CASE 2 Raspberry Pi Camera Emulation SVO-03-MIPI + Jetson Nano Video Input

MIPI Generator SVO-03-MIPI can input video to Jetson Nano instead of a Raspberry Pi camera and check the video on a monitor connected to Jetson Nano. You will find that the board can be used universally as a video source in place of a MIPI camera.

Uncompressed AVI file is supported as a video source. Video streamer application is provided free of charge.

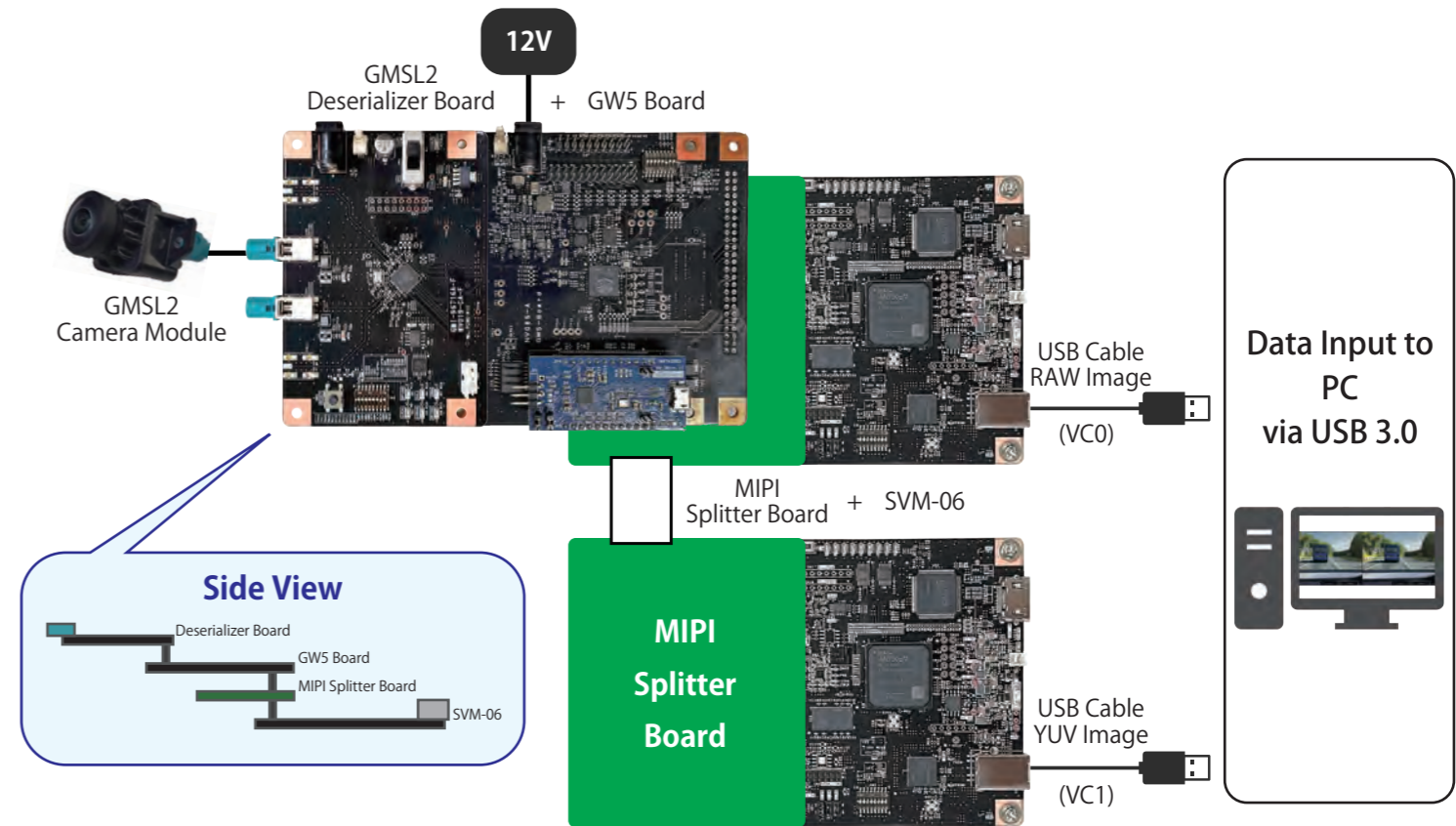


SVO-03-MIPI can emulate a camera. You can use it as an alternative video source for debugging the ISP and the ECU, etc.

CASE 3 5.4MP GMSL2 Camera + indie Semiconductor GW5410 Output MIPI CSI-2 Virtual Channel Simultaneous Capturing

Using MIPI Monitoring Board SVM-06 with IMX490 and GW5410 allows to display both RAW video and YUV video. Multiple daisy-chain-connected SVM-06 can capture any virtual channel stream selectively and simultaneously.

Two SVM-06 capture RAW(VC0) and YUV(VC1) respectively. Power supply for the camera is connected to the GW5 board. FT4222 module enables indie apps to access GW5410.



The GW5410 outputs RAW12 and YUV422 8bit data together. Each video is 2880x1860, 30fps and both of RAW and YUV are displayed on one PC.

[About MIPI Signal Split]

